
Linear Arm AFUI-2 for TAT2M2

Since the structure of this linear arm is different from that of a general swing arm, be sure to install and connect it according to this User's Manual.

	Introduction	1
1.	Safety Precautions	2
2.	Precautions for use	2
3.	Names of parts and their functions	3
4.	Installation and Connection	4
5.	Product Specifications	8
6.	Troubleshooting	8
7.	After-sales Service	9

Thank you for purchasing our products.

We hope that this product will enhance your music and provide you with a richer musical life.

5-year quality warranty

All products will be repaired free of charge for five years if they fail under normal use in accordance with the user's manual. (excluding consumables).

Product Contents

- Linear Arm AFU1-2
- Cartridge shell
- Air tube $\phi 4$ for connecting AFU1-2
- Phono cable
- Balance weight large
- Balance weight medium
- Balance weight small
- Parallel pin
- M4x6 hexagon socket head cap screws
- Two types of hexagonal bar wrenches
- Level
- Arm position adjustment gauge
- User's Manual

Please read this User's Manual carefully before using the product to ensure safe operation.

1. Safety Precautions



Warning

Do not disassemble, repair, or modify the product in any way.

- If you need repair, please contact your dealer or our service department.

2. Precautions for use



Caution

Do not install the product in the following places

- Humid or dusty place
- Enclosed area
- Unstable place with vibration or inclination

For daily cleaning, wipe with water and then wipe with a dry cloth.

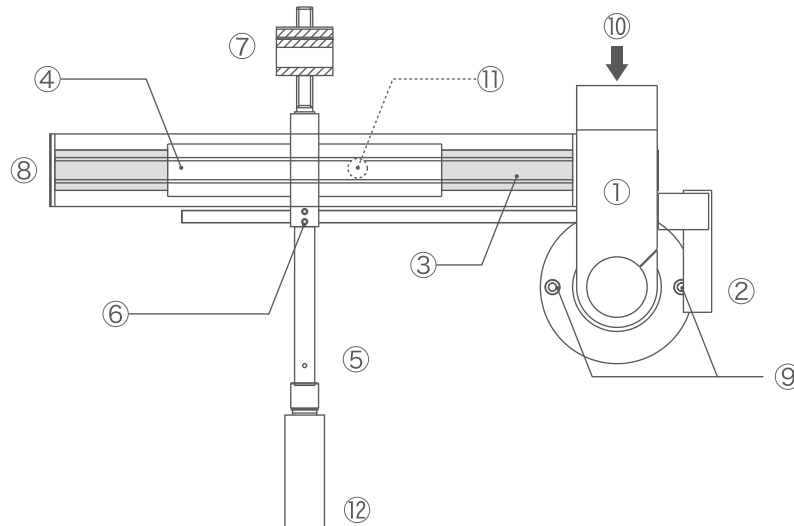
- Do not use solvents such as thinner.

The contact surface between the slide shaft and the slider is polished for air floating.

- Please handle with care to avoid scratches.

3. Names of parts and their functions

Linear Arm AFU1-2



① Holder

Adjust the height and parallelism(front/rear directions) of the arm with the screws on the side.

② Arm up/down lever

Tipping it to the front will lower the cartridge, while tipping it to the back will raise it.

③ Slide shaft

The slider slides on this. Be careful not to scratch it or it will not work.

④ Slider

Move over the slide shaft. Be careful not to scratch the inner slide surface.

⑤ Arm

Connects the cartridge to the slider. Deadening treatment is applied to prevent natural vibration.

⑥ Azimuth adjustment screw

Screw for adjusting the left/right tilt and front/back of the cartridge

⑦ Balance weight

Adjust the stylus pressure by combining two weights, large, medium, and small, and then tighten and lock them after adjustment.

⑧ Arm cover (always worn)

Prevents arm from falling or cable from being cut.

⑨ Horizontal adjustment screw

Adjusts the level of the arm in the left/right direction. The arm tilts toward the side where the screw is tightened. Precise adjustments are required.

⑩ Phono cable connector

DIN standard 5-pin phono cable connector

⑪ Air supply terminal

Terminal to supply air to the arm
Connect the air tube $\phi 4$.

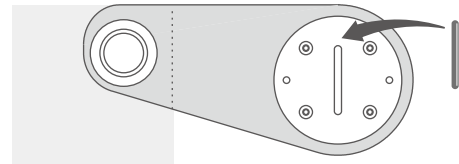
⑫ Headshell

The shell to which the cartridge is attached. Universal type, various cartridges can be installed.

4. Installation and Connection

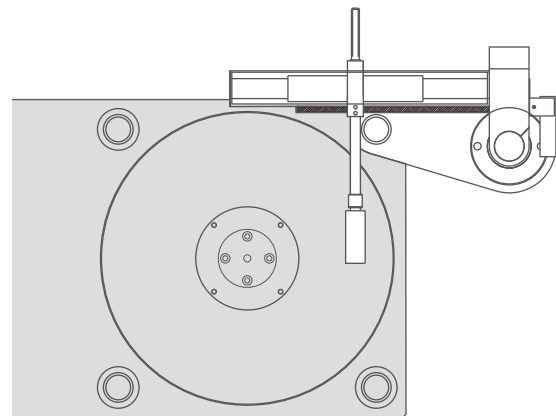
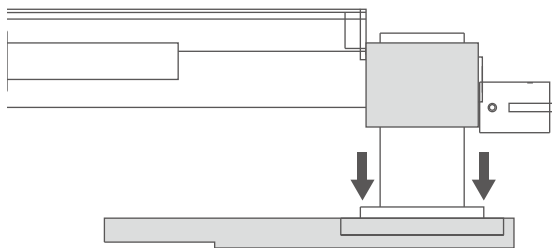
1. Install the attachment

- Install the Linear Arm Attachment LAA2 according to the User's Manual of the Turntable TAT2M2.
- Place the parallel pins in the grooves of the attachment.



2. Attach the arm

- Install the Linear Arm AFU1-2 on top of the attachment, and temporarily fix it with two M4x6 hexagon socket head screws.

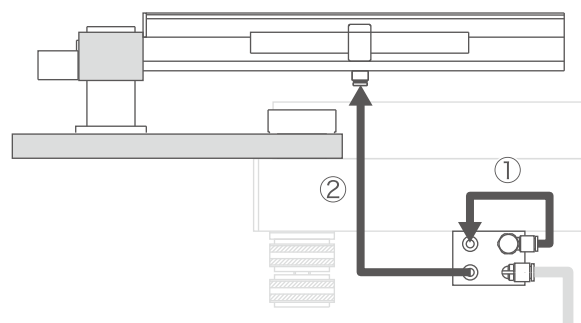


3. Connect the air tube

(1) Connect the air control valve of TAT2M2 to the air discharge terminal (upper) with short air tube $\phi 4$.

(2) Connect the air discharge terminal (bottom) and the air supply terminal at the bottom of AFU1-2 with the long air tube $\phi 4$.

- At this time, insert the tube firmly and deeply until it hits the back of the terminal.
- When removing the tube for replacement, pull out the tube while pressing the insertion port (plastic part) of each terminal.



4. Install the arm

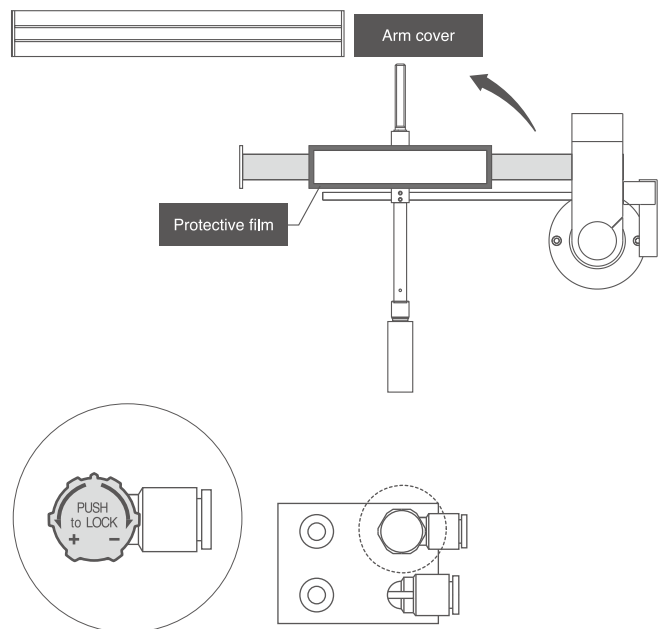
- Remove the arm cover, remove the band and the protective film, and then reattach the arm cover.

Please be careful not to drop the slider as it may cause the arm cable to break.

- Turn on the main power of the TAT2M2, start the air supply, and make sure the slider moves left and right.

If the movement is heavy, use the air control valve on the TAT2M2. Set the unit at a position where the air sound cannot be heard from the speaker.

This air control valve is push-lock type, pull the handle toward to unlock. After turning the handle to adjust the air volume, push the handle again to lock.



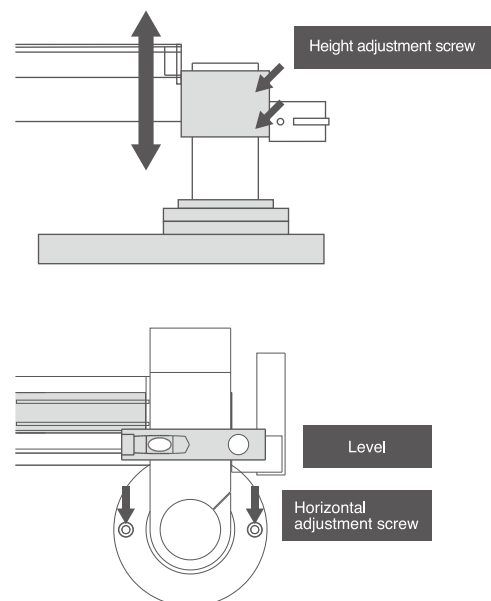
5. Adjust the height and level

■ Height Adjustment

- After attaching the shell and cartridge, loosen the two adjustment screws on the holder gradually, and raise or lower the holder by hand to adjust the height. At this time, make sure that the record and the arm are aligned horizontally.

■ Level adjustment

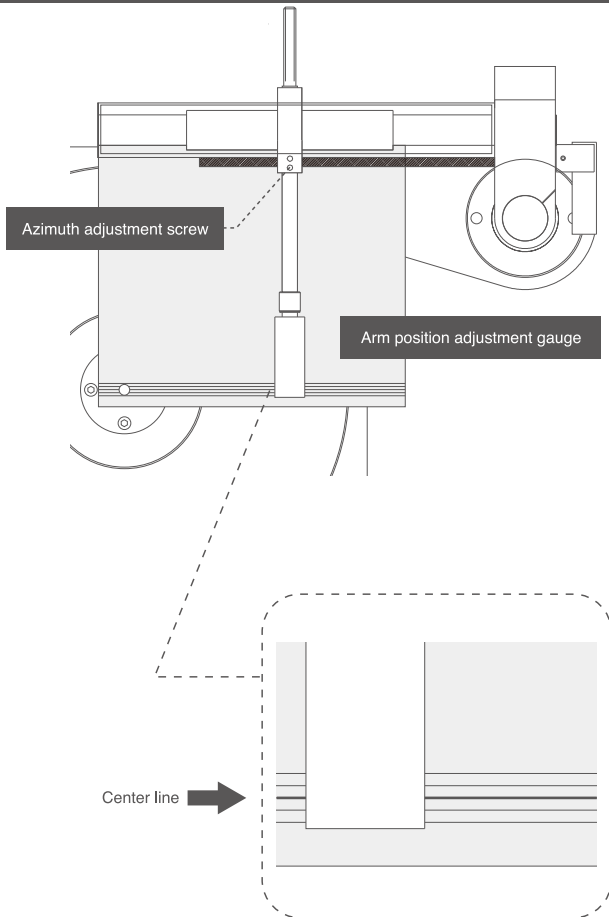
- Place the level on the holder and check the tilt of the arm.
- Tighten the left and right horizontal adjustment screws (M4 x 6 hexagon socket head bolts installed in "2. Attach the arm") to precisely adjust the horizontal position.



6. Adjust the front and back position of the arm

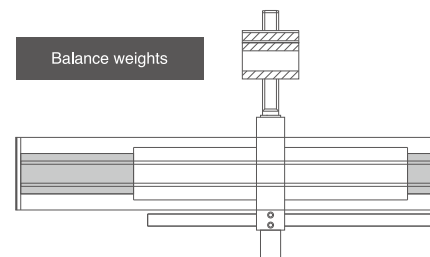
- Place the hole of the arm position adjustment gauge into the spindle and press the end of the gauge against the slide shaft, make sure that the shaft and gauge are parallel.
- If it is not parallel, loosen the two screws on the side of the holder and rotate the holder to adjust it to be parallel while maintaining the height.
- Move the arm to the center of the gauge, loosen the azimuth adjustment screw so that the stylus tip of the cartridge is on the center line of the gauge, and adjust the arm front to back. (Maximum +2mm) After adjustment, tighten the screws.
- Move the slider left and right to make sure that the stylus tip is on the center line of the gauge. Then remove the gauge.

If the position is off by more than +2mm, adjust the mounting position of the shell.



7. Adjust the stylus pressure

- Install the two balance weights large and small or medium and small. Using a stylus pressure gauge, adjust the stylus pressure by moving the weights while turning them, and then tighten and lock them after adjustment.
- Use a combination of large and small, or medium and small, balance weights according to the weight of the cartridge.



8. Adjust the azimuth

- Visually or by playing a test record, check the balance between left and right. If there is any discrepancy, loosen the azimuth adjustment screw and adjust the angle. After adjustment, tighten the screws.
- Connect the phono cable to the phono cable connector on the AFU1-2 and to the phono equalizer amplifier.

This completes the setup.

Start and end the use of the arm

- Tipping it to the front will lower the cartridge, while tipping it to the back will raise it.

Daily maintenance

- Dust accumulation on the cartridge stylus will distort the sound, so always remove it.
- For daily cleaning, wipe with water and then wipe with a dry cloth. Do not use solvents such as thinner.
- If water droplets or dust accumulate between the slide shaft and slider, the arm will not move properly. Wipe the shaft and slider with a clean cloth or dustproof paper about once a month.
- Do not use the product in a humid place.

5. Product Specifications

Model	AFU1-2
Type	Air float linear tracking
Applicable Cartridge Weight	20-40 g (Including Shell)
Applicable Stylus Weight	1.5-5 g
Stylus Pressure Adjustment	Static balance
Screw Adjustment	Azimuth, Tonearm Length, Leveling
Arm Lift	Manual
Output Terminal	DIN 5P
Installation Dimensions	310W×81H×327D mm

6. Troubleshooting

Check the following when you think it may be a malfunction. If the problem persists even after these measures are taken, or if the problem is not listed, contact your dealer or our service department.

Skip

- Check the level of the arm.
- Check if the air tube is loose or disconnected.
- Check that the arm (cartridge) is not tilted.
- Remove any dirt or dust from the stylus.
- If water droplets or dust accumulate between the slide shaft and slider, the arm will not move properly.

Wipe the shaft and slider with a clean cloth or dustproof paper about once a month.

- Check the stylus position of the cartridge using the arm position adjustment gauge.
- If the record is misaligned, distorted, or damaged, it may not play properly.
- Check and adjust the amount of air supply to the arm.
- Cannot be used in humid places.

No sound

- Check that the cartridge is connected properly.
- Check that the phono cable is connected properly.

7. After-sales Service

5-year quality warranty

All products will be repaired free of charge for five years if they fail under normal use in accordance with the user's manual. (excluding consumables). Please note that even within the warranty period, repair may be charged depending on the circumstances of the failure.

After expiration of warranty period

If repair is possible, the product will be repaired for a fee upon request. Repair parts will be available for 8 years after the end of production. If the product has been in use for a considerable period of time, please contact our service department in advance.

Others

The following failures will be repaired for a fee. Please note that you will be responsible for the actual cost of parts, technical fees, shipping, and travel expenses.

- If the failure is caused by improper use or usage that does not follow the user's manual.
- If the failure is caused by a device other than our product you purchased.
- If the failure is damaged by fire, earthquake, flood, lightning, rodent damage, salt damage, other pollution, or abnormal voltage.
- The product has been repaired by someone other than us.

Please note that we are unable to repair any product that has been altered.

We do not warrant any incidental damage resulting from product failure.

Second User Registration

Customers who have acquired our products as used products can take over the remaining warranty period as a second user. If you have acquired a used product, please register from the "Support" section of our website.

Contact Us

If you have any questions about the product, please contact your dealer or our service department. When requesting repair, please inform us of the serial number attached to the back of the unit and the status of the failure.

Please keep the packing materials as they will be needed for transportation of the repair.



CS Port Co., Ltd.
1-1-18 Nishinakanomachi, Toyama-city
Toyama, 939-8084, Japan
Service Department
[Office Hours] Weekdays 9:00-18:00
Phone: +81-76-461-4188
Email: service@cspport.audio
WEB: www.cspport.audio/en/inquiry

